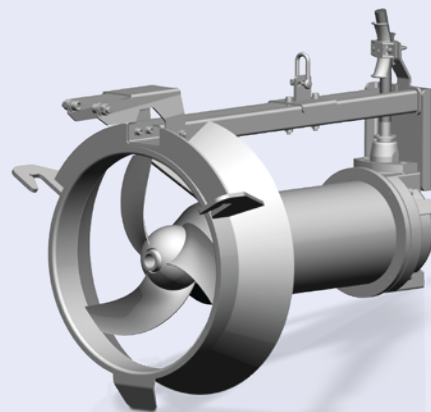
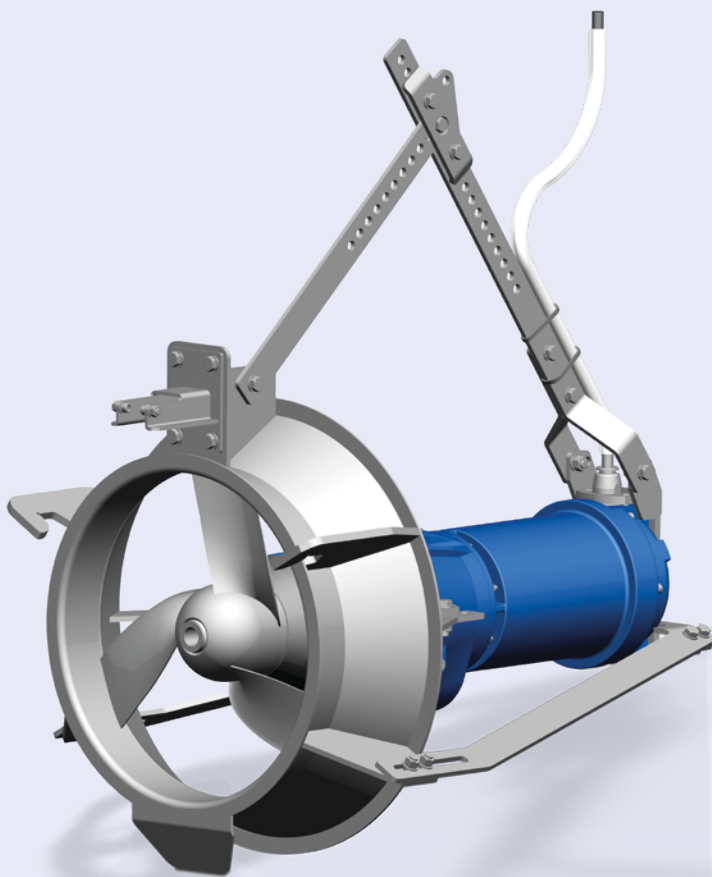


Amaline – Submersible Pump



Applications:

- Recirculating activated sludge from the nitrification to the denitrification stage of activated sludge tanks
- Economic handling of stormwater, river water, surface water and polder water at low heads
- Generating flow in water bodies

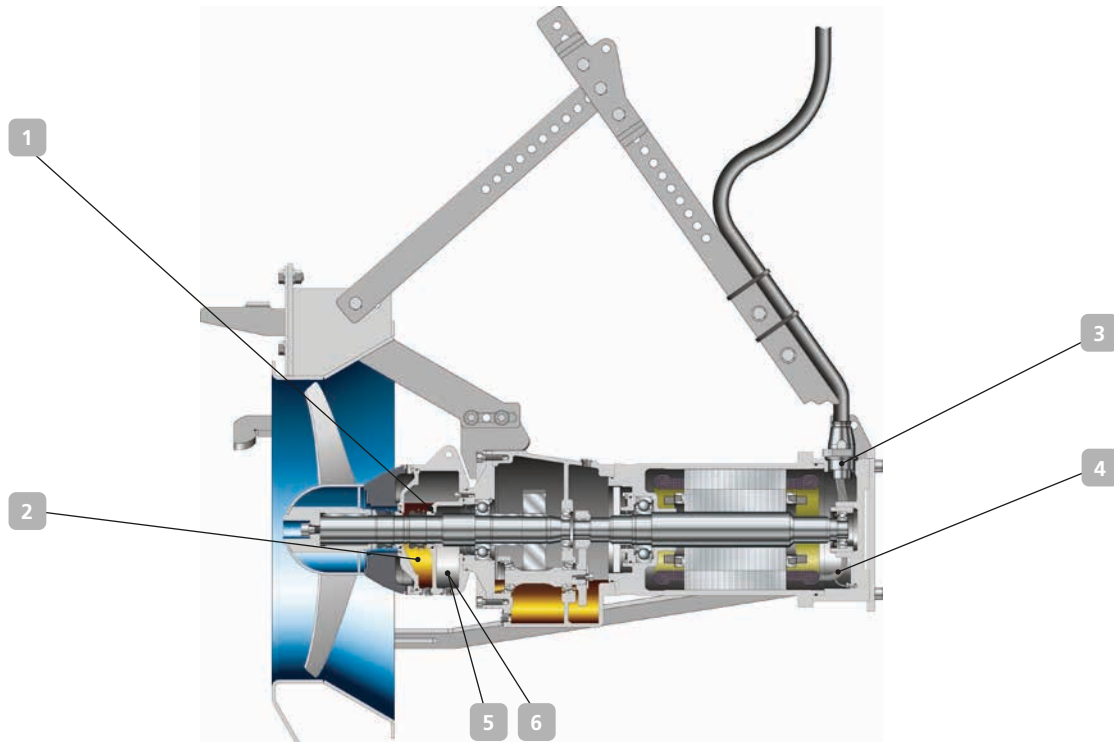
More information: www.ksb.com/products

Intelligent monitoring



Amacontrol – Protection Module
for Water and Waste Water Products

Amaline – Submersible Pump



1 Maximum reliability

3-fold dynamic sealing system consisting of two (SiC/SiC) mechanical seals and a lip seal.

2 Environmentally friendly

The oil chamber is filled with ecologically acceptable white oil.

3 Perfectly protected

An absolutely water-tight cable entry protects the motor against humidity.

4 Overheating impossible

Temperature sensors monitor any heat build-up in the motor.

5 Everything under control*

A leakage chamber between the oil chamber and the gear unit provides additional safety.

6 Optional*

Leakage sensor in leakage chamber available for non-explosionproof version

16,000 operating hours without oil change

Oil change required every two years

Easy to install

*Amaline 500/600/800 only

Technical data

	Amaline 200/300/400 (direct drive)	Amaline 500/600/800 (spur gear drive)
Speed [rpm]	725 – 1,450	206 – 719
Power [kW]	1.25 – 7.5	4.5 – 27.0
Nominal diameter [DN]	200/300/400	500/600/800
Flow rate [m ³ /h]	425 – 1,800	2,700 – 6,600
Head [m]	1.2 – 3.4	2.15 – 3.5
Fluid temperature [°C]	max. 40	max. 40



KSB SE & Co. KGaA
Johann-Klein-Straße 9
67227 Frankenthal (Germany)
www.ksb.com